

Stainless Steel-Cam action indexing plungers

with 180° limit stop, without locking function

SPECIFICATION

Types

- Type **RA**: Right-hand lock
- Type **RB**: Right-hand lock, with plastic cover
- Type **RAK**: Right-hand lock, with lock nut
- Type **RBK**: Right-hand lock, with plastic cover, with lock nut
- Type **LA**: Left-hand lock
- Type **LB**: Left-hand lock, with plastic cover
- Type **LAK**: Left-hand lock, with lock nut
- Type **LBK**: Left-hand lock, with plastic cover, with lock nut

Stainless Steel AISI 303

Spring

Stainless Steel AISI 301

Plastic cover

Technopolymer (Polyamide PA)

black, matte

INFORMATION

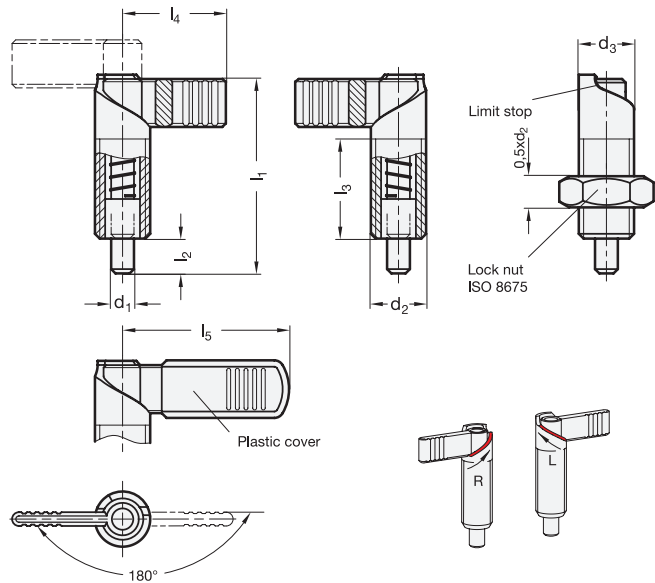
For GN 721.5 Stainless Steel-Cam action indexing plungers the indexing plunger pin is withdrawn by turning the lock by 180°.

For opposing cam action indexing plungers the left or right-handed types allow practical use, that is the same setting of the lock.

- Range of cam action indexing plungers (see page 816)

TECHNICAL INFORMATION

- ISO-Fundamental Tolerances (see page A21)
- Stainless Steel characteristics (see page A26)
- Load rating information (see page A42)



* Complete with type index of the Cam action indexing plungers

RA RB RAK RBK LA LB LAK LBK

GN 721.5

STAINLESS STEEL

Description	d1 Pin -0.06/-0.08 Bore H7	d2	d3	l1	l2	l3 +1.5	l4	l5	Spring load in N ≈ initial	Spring load in N ≈ end	⚖️
GN 721.5-5-M10x1-*	5**	M10x1	10	37.5	6	19	21	-	7	20	90
GN 721.5-6-M12x1,5-*	6	M12x1.5	12	47	8	26	26	32	8	18	110
GN 721.5-8-M16x1,5-*	8	M16x1.5	16	56	10	30	32	42	11	29	120
GN 721.5-10-M20x1,5-*	10	M20x1.5	20	69	12	37	37	52	21	57	130

** This size is only available in types LA, LAK, RA and RAK.

